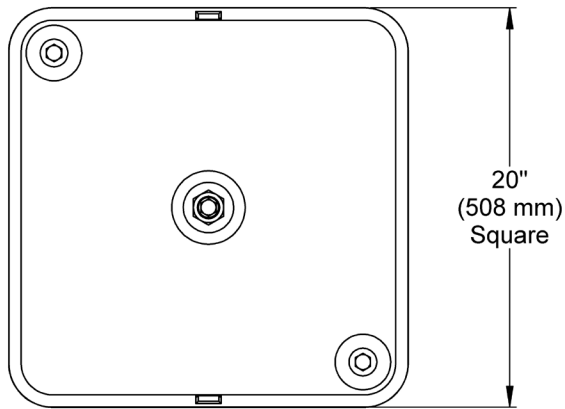


# MODEL: VSM2012 Lo/Tuned™ Spring Mount

- 2.5-7.0 Hz natural frequency range
- Material damping
- Load Ranges up to 30,420 lbs. (135 kN)
- Effectively isolates inertial and impact forces up to 99%
- Heavy-duty, low stress design
- Shim leveling design

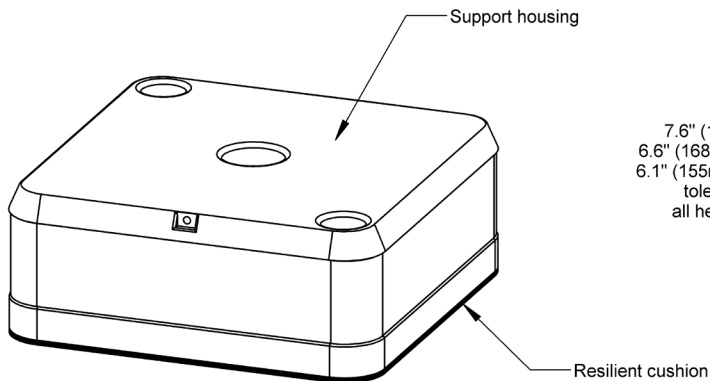
CUSTOM DESIGNS & SIZES ARE AVAILABLE



#### Optional attachment bolt

For anchoring machine foot to isolator.  
Location varies with each order.

A shim pack is provided for approximately 1/4" (6mm) of leveling adjustment

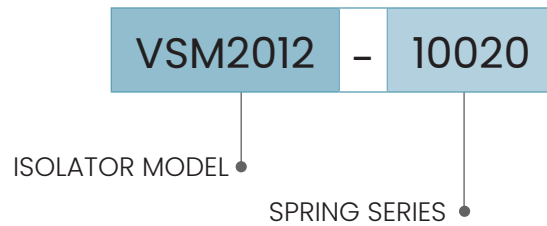


7.6" (193mm) unloaded height  
6.6" (168mm) height at min. capacity  
6.1" (155mm) height at max. capacity  
tolerance  $\pm 0.15"$  (3.8mm)  
all heights are without shims

Springs (shown without side seal)

# MODEL: VSM2012 Lo/Tuned™ Spring Mount

VSM2012 Isolator Specifications				
Model Number	Maximum Static Load		Isolator Weight	
	lbs.	kN	Lbs.	Kg.
VSM2012-12000	30,420	135	233	106
VSM2012-10020	29,040	129	233	106
VSM2012-08040	27,660	123	233	106
VSM2012-06060	26,280	117	233	106
VSM2012-10000	24,420	108	233	106
VSM2012-08020	23,970	107	223	101
VSM2012-06040	22,590	100	223	101
VSM2012-08000	20,280	90	213	97
VSM2012-06020	18,900	84	213	97
VSM2012-02060	16,140	72	213	97
VSM2012-06000	15,210	68	203	92
VSM2012-02040	12,450	55	203	92
VSM2012-00060	11,070	49	203	92



- TYPICAL APPLICATIONS**
- High-Speed Punch Presses
  - Turret Punch Presses
  - Gear Hobbers & Shapers
  - EDM Machines
  - CMM Machines
  - Furnaces
  - Precision Hones
  - Test Stands

**NOTE: Isolator data subject to change without notice.**

**05/15/2019**